



Model MRJ1172

Type I & Type II Relay Modules



VMI MODEL	DESCRIPTION	FRONT PLATE ANODIZED
MRJ1172A	RELAY MODULE, HIGH SPEED, TYPE IIA, C/W TWO AROMAT NC4D-JP-DC48V RELAYS	CLEAR
MRJ1172B	RELAY MODULE, HIGH CURRENT, TYPE IIB, C/W TWO 10 AMP FORM 4C, DEUTSCH MIL DRF 83536 RELAYS	BLUE
MRJ1172C	RELAY MODULE, MBB TYPE IIC, C/W TWO 5 AMP FORM 3D, 1C RELAYS	BURGUNDY
MRJ1172D	RELAY MODULE, TYPE I, C/W FOUR AROMAT NC4D-JP-DC48V RELAYS	GREEN

Features

- Type I
- Type IIA, High Speed
- Type IIB, High Current
- Type IIC, MBB
- Contact Snubber
- Coil Snubber

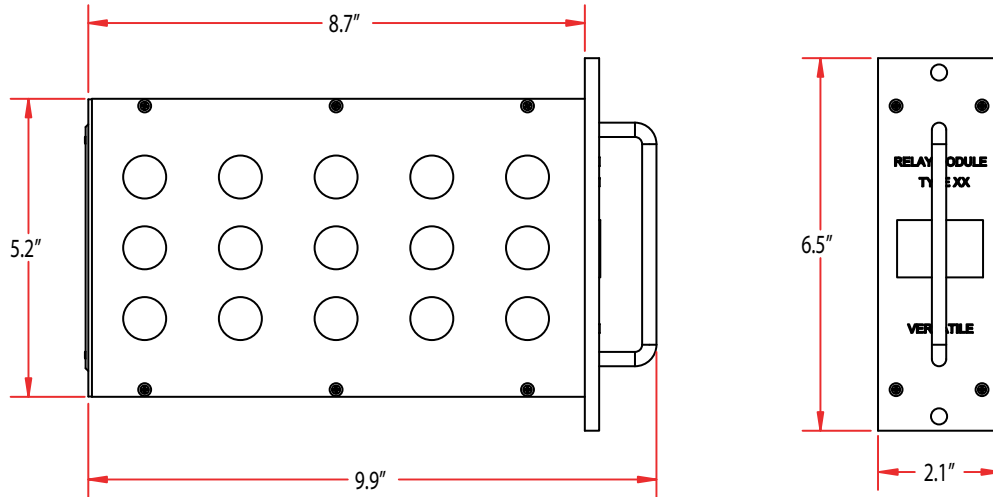


Specifications

	Model	MRJ1172A	MRJ1172B	MRJ1172C	MRJ1172D
Oper.	Title	Acceptance Criteria			
1	Housing Color	Clear	Blue	Burgundy	Green
2	Relay	Aromat NC4D-JP-48Vdc	Deutsch E410G1A	Aromat NC4D-JP-48Vdc	Aromat NC4D-JP-48Vdc
3	Environmental	10°C to 50°C, 95% Relative Humidity non-condensing			
4	Qualified Life	30 Years			
5	Seismic	Category B			
6	Dielectric	500Vac for 1 minute			
7	Insulation leakage	Less than 0.1uA 500Vdc for 1 minute Less than 25uA, 500Vac for 1 minute			
8	Operating Time	<10 mSec	<15 mSec	<20 mSec	<20 mSec
9	Reset Time	<6 mSec	<10 mSec	<20 mSec	<20 mSec
10	Bridging Time	NA	NA	1-15 mSec	NA
11	Coil Resistance	3200 ohm ±10%	955 ohm ±10%	3200 ohm ±10%	3200 ohm ±10%
12	Pickup voltage (maximum)	38.4 V	36.0 V	38.4 V	38.4 V
13	Drop Off voltage (minimum)	4.8 V	2.0 V	4.8 V	4.8 V
14	Contact Rating (maximum)	1A, 48Vdc	3A, 48Vdc	1A, 48Vdc	1A, 48Vdc
15	Relay Chatter during seismic	<2mS	<2mS	<2mS	<1mS
16	Relay Contact Resistance	<200 milliohms	<200 milliohms	<300 milliohms	<300 milliohms
17	PCB Keying Slot	Opposite Pin #10	Opposite Pin #10	Opposite Pin #10	Opposite Pin #6

Model MRJ1172 Type I & Type II Relay Modules

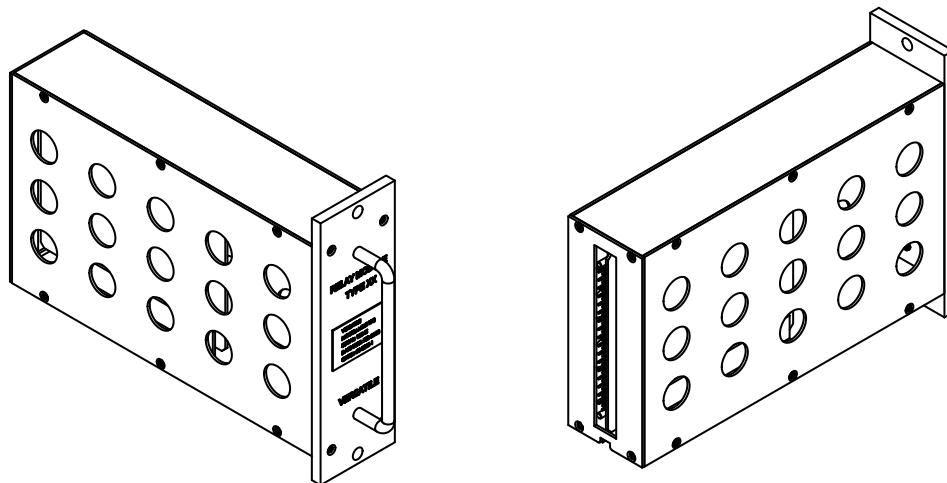
Outline and Mounting Dimensions



VERSATILE
MODEL: MRJ1172
SERIAL: 12345
DATE BUILT: FEB 2008

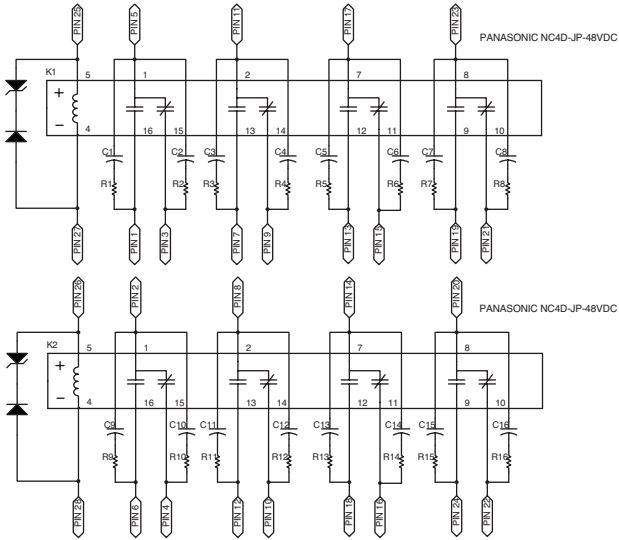
LABEL

35 PIN EDAC CONNECTOR

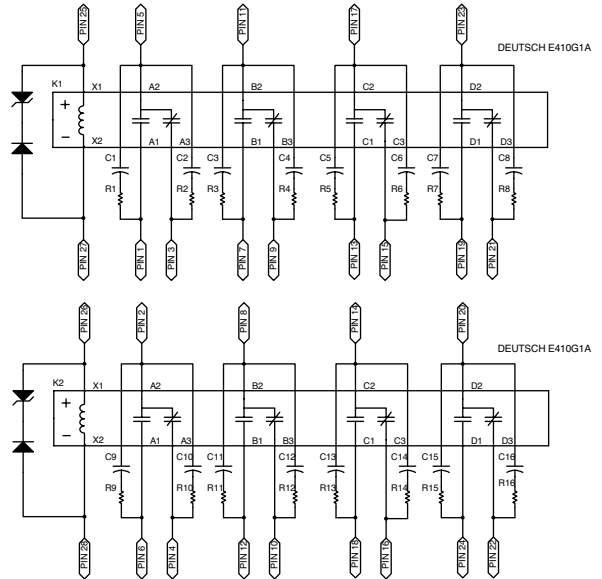


Wiring Diagram

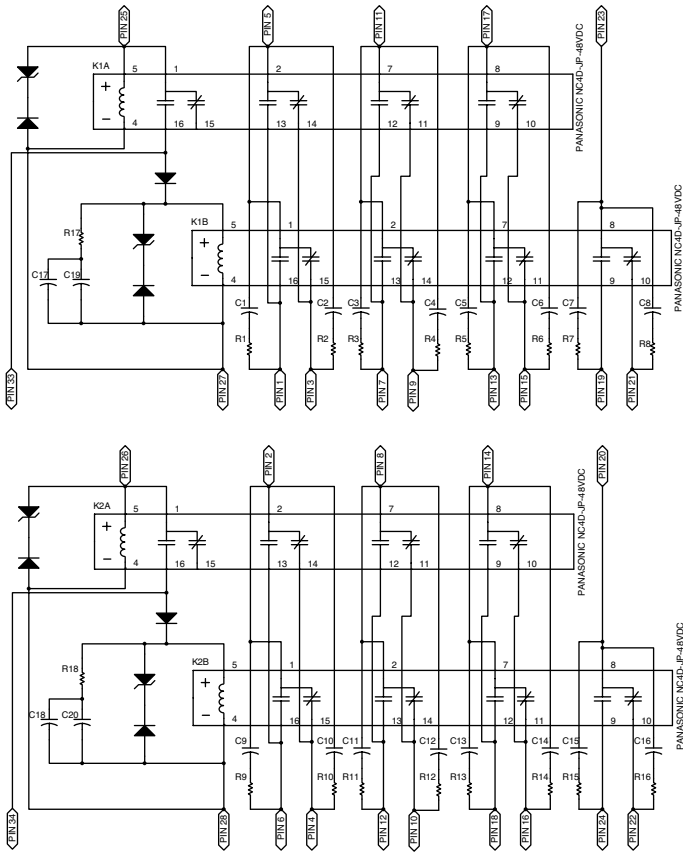
MODEL MRJ1172A
HIGH SPEED TYPE IIA ELECTRO-MECH RELAY



MODEL MRJ1172B
HIGH CURRENT TYPE IIB ELECTRO-MECH RELAY



MODEL MRJ1172C
TYPE IIC FORM 4D RELAY MODULE



MODEL MRJ1172D
TYPE I ELECTRO-MECH RELAY

